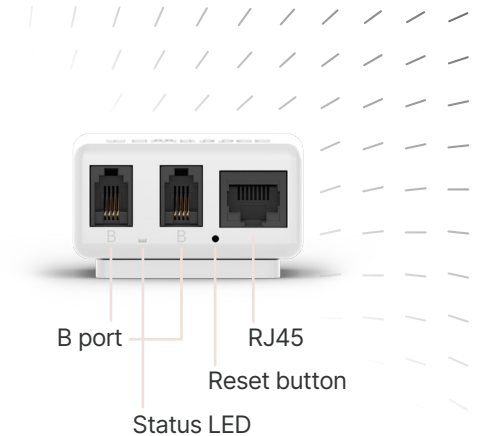


Smappee Connect



The Connect is, similar to the Genius, the gateway between the Power Box and the cloud (Smappee or other), ensuring secure data storage from different components. Data is transferred via Ethernet or Wi-Fi. In the event of a network outage, data will be stored for one day. The Connect does not offer smart control, unlike the Genius that does offer smart control. When used as gateway in a Smappee EV Line Charging Station it enables smart charging and loads balancing functionalities. The Connect is a cost-efficient way to add intelligence to the Smappee Infinity setup.

- Gateway between monitoring system and cloud via Ethernet or Wi-Fi.
- Future-proof thanks to over-the-air updates.
- Cost-effective alternative to the Smappee Genius.
- Ensures secured data storage from components.



Dimensions

55 mm × 55 mm × 26.6 mm
(2.17" × 2.17" × 1.05")

Weight

45 g (1.59 oz)

Operating temperature

-25 °C to 70 °C (-13 °F to 158 °F)

Storage temperature

-25 °C to 90 °C (-13 °F to 194 °F)

Relative humidity

0 % - 95 %, non-condensing

Operating altitude

0 - 2,000 m (0 - 6,562 feet)

EMC

IEC 61326-1, FCC 47 part 15

Safety

IEC 60950-1

Spectrum

EN 300 328 V2.1.1

Product certifications

CE, FCC, RCM

IP Rating (IEC 60529)

IPX0

Connectivity

- Ethernet 100BASE-T
- Wi-Fi 2.4 GHz
- 2 × Smappee Bus B

Accessories included

- Wall mounting plate
- Smappee Bus cable 150 cm (59 inches)