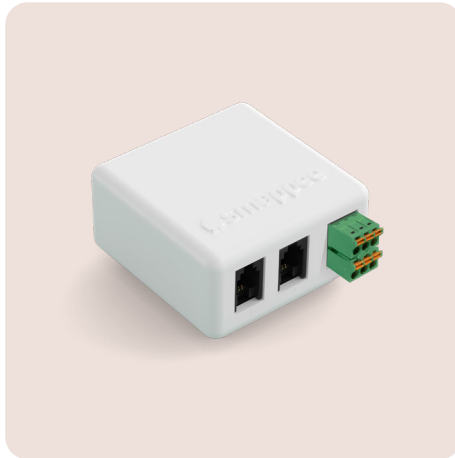
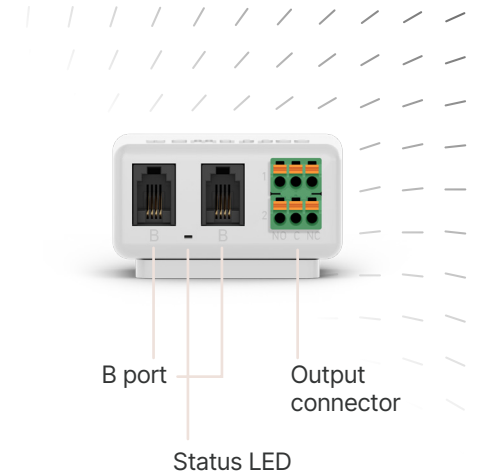


Smappee Output module



The Smappee Output module is a cost efficient way to add smart control to the Smappee Infinity ecosystem. The module has 2 separate power relay outputs (single pole double throw: NO/NC/Common). This allows remote control of devices that are either directly powered (max. 5 A switching capability) or control a breaker (single or 3-phase) to steer high power equipment e.g. a motor, EV charging station, hot water boiler. It can also be used as control signal for smart devices such as Smart Grid Ready heat pumps. You can add up to 10 output modules to the Smappee Infinity setup thanks to its RJ10 connection. The modules communicate with the Smappee Genius.

- Add control to the Smappee Infinity ecosystem.
- 2 relay outputs (NO/NC/Common).
- Daisy-chain up to 10 output modules.
- The output modules can easily be added thanks to a quick RJ10 connection.



Dimensions

55 mm × 55 mm × 26.6 mm
(2.17" × 2.17" × 1.05")

Weight

61 g (2.15 oz)

Operating temperature

-10 °C to 60 °C (14 °F to 140 °F)

Storage temperature

-20 °C to 90 °C (-4 °F to 194 °F)

Relative humidity

0 % - 95 %, non-condensing

Operating altitude

0 – 2,000 m (0 – 6,562 feet)

Power supply input range

5 - 12 V DC

Connectivity

2 × B port

Output connector

- Removable terminal block, push in spring connection
- Solid cable with diameter range 0.5 to 1.5 mm² (20 AWG - 15 AWG)
Stranded cable not recommended.

Output specifications

- 2 outputs
- Insulated relays output
- 3 contacts per output (NO/NC/C)
- 5 A maximum
- 250 V AC maximum

Accessories included

- DIN mounting plate
- Smappee Bus cable 150 cm (59 inches)